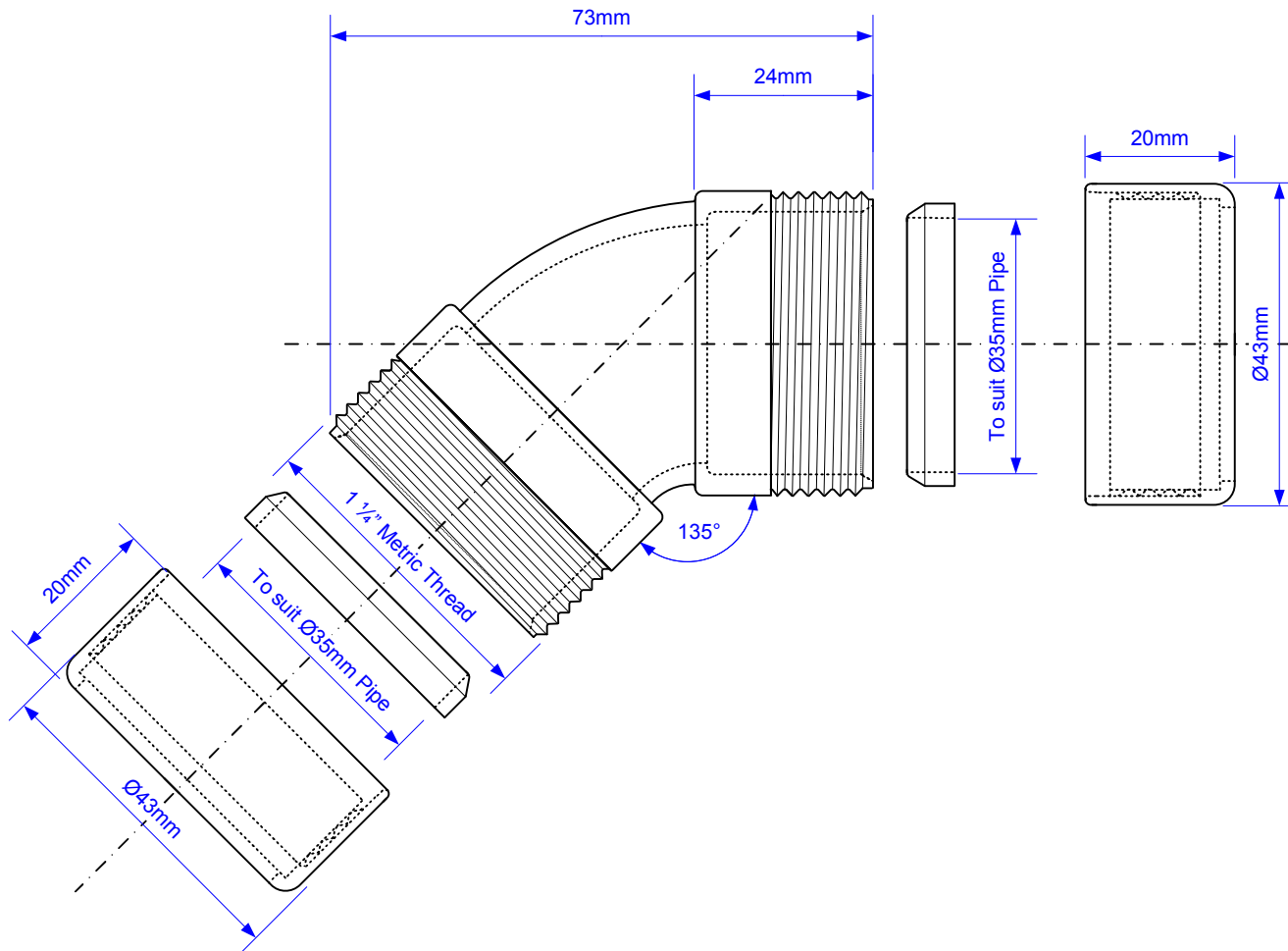


Code:

35B-CB



35mm BRASS CP
135 BEND

©McALPINE
10/01/2008

Drawing verified correct as of: 13/06/2014
RM

DRAWN BY RM

REVISED 13/06/2014
SCALE 1:1

FILENAME 35B-CB.VSD
DATE 13/06/2014