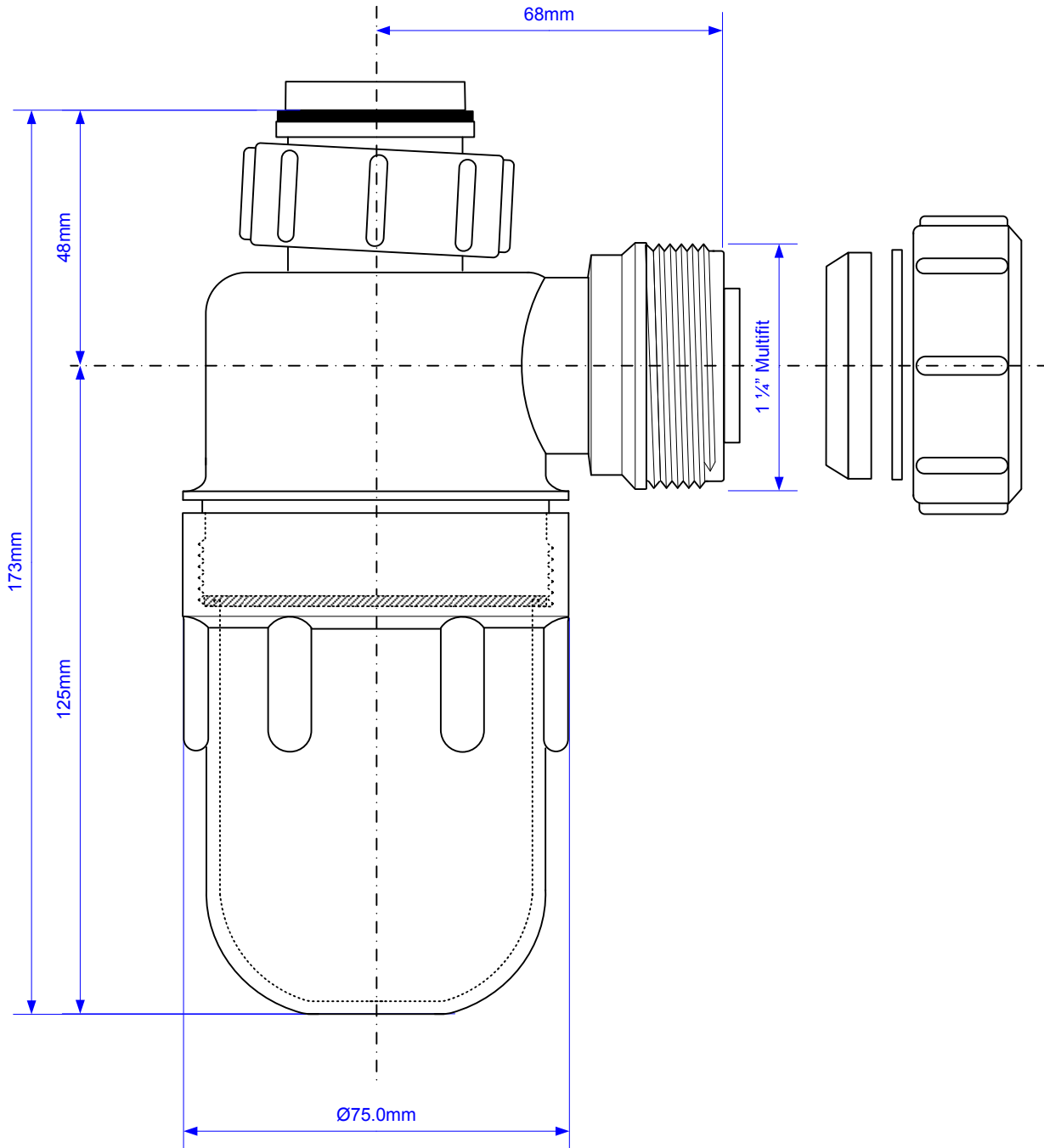


Code:

A10



© McALPINE
21/11/2012

Drawing verified
correct as of: 02/04/2015
RM

DRAWN BY
RM
SCALE
1: 1.25

REVISED
07/04/2001, 21/11/2012
02/06/2014, 03/11/2014
02/04/2015

FILENAME
A10.VSD
DATE
02/04/2015