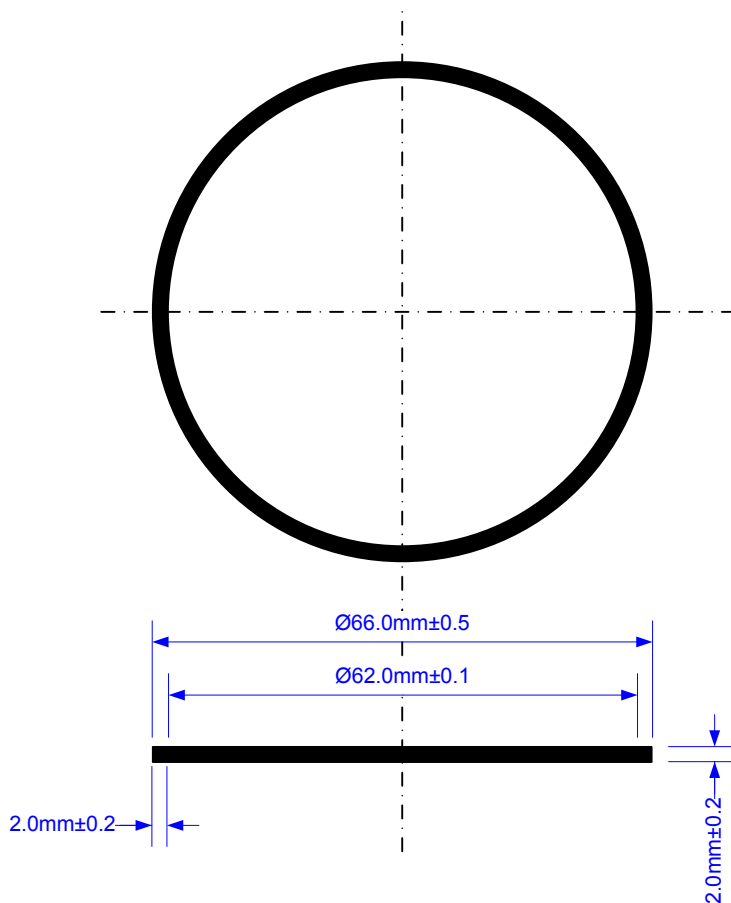


Code:

ARW10

Material: Nitrile 70° ±5



Drawing verified
correct as of:

14/02/2013
RM

DRAWN BY

RM

REVISED

SCALE

1: 1

FILENAME

ARW10.VSD

DATE

14/02/2013