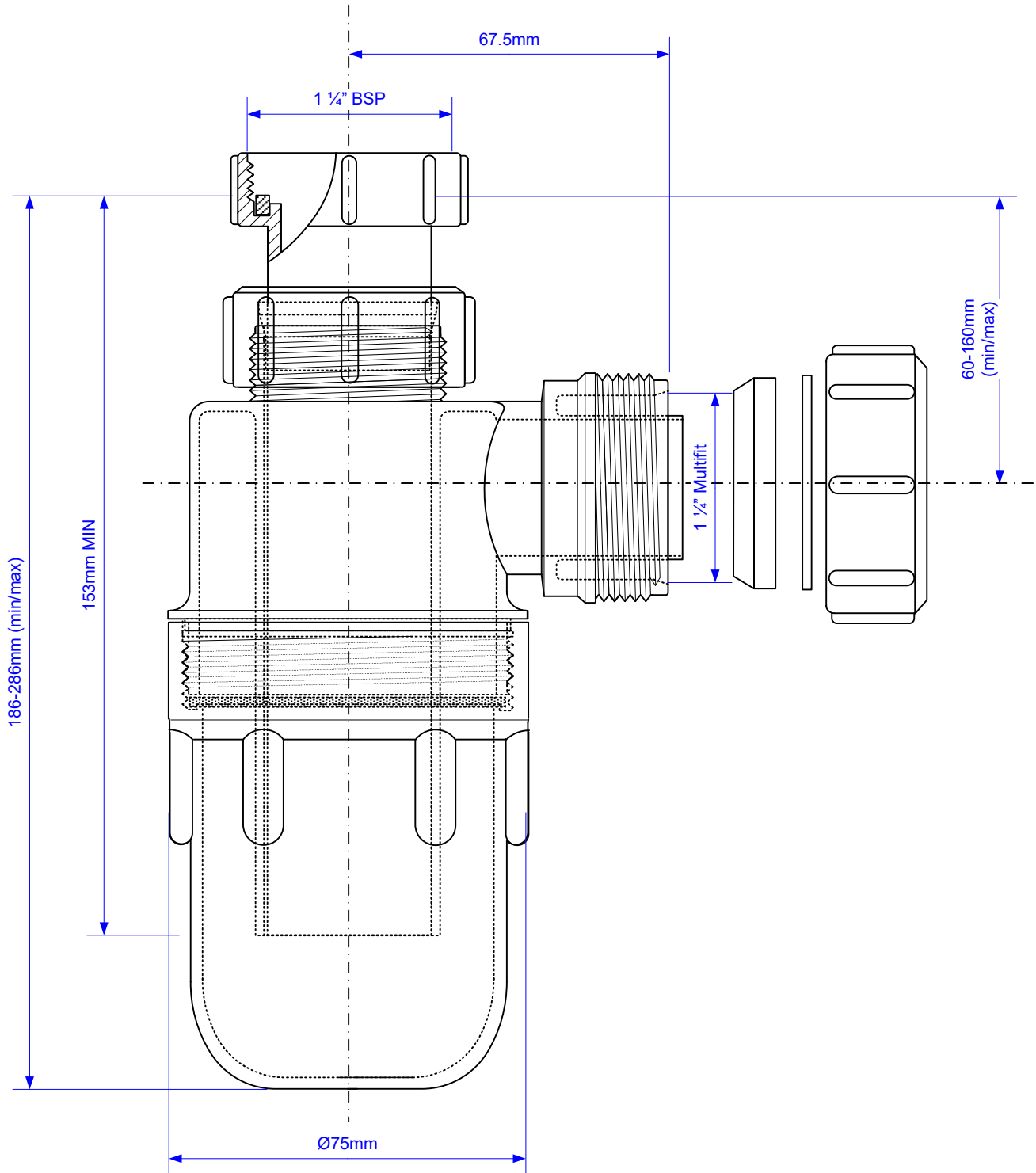


Code:

# A10A



Drawing verified  
correct as of:

11/08/2020  
RM

DRAWN BY

RM

SCALE

1: 1.25

REVISED

14/12/2009, 28/09/2012  
06/06/2013, 11/08/2020

FILENAME

A10A.VSD

DATE

11/08/2020