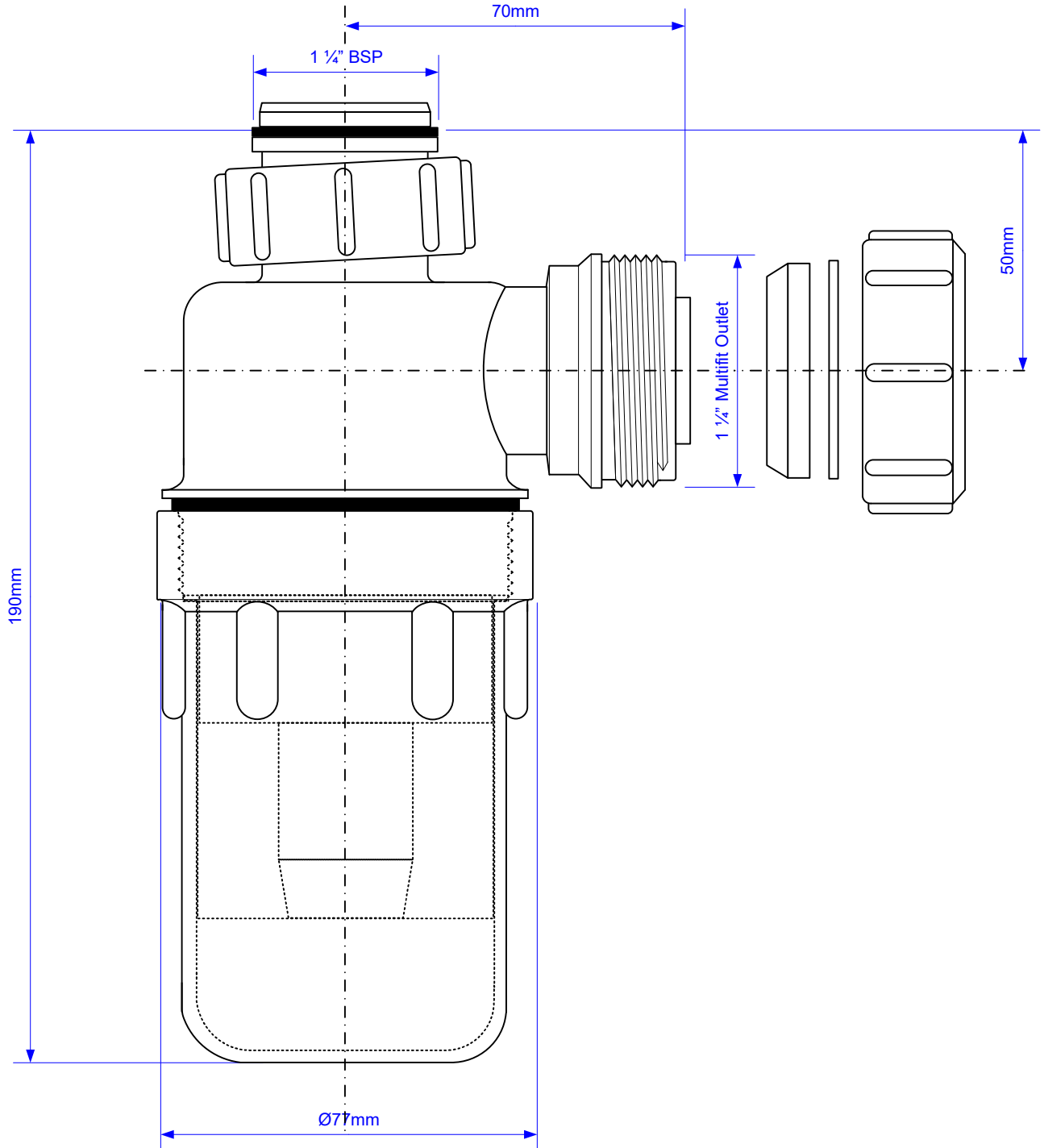


Code:

A10R



Drawing verified
correct as of: 12/03/2015
RM

DRAWN BY
RM
SCALE
1: 1.25

REVISED
03/07/2006, 18/11/2013
11/09/2014, 12/03/2015

FILENAME
A10R.VSD
DATE
12/03/2015