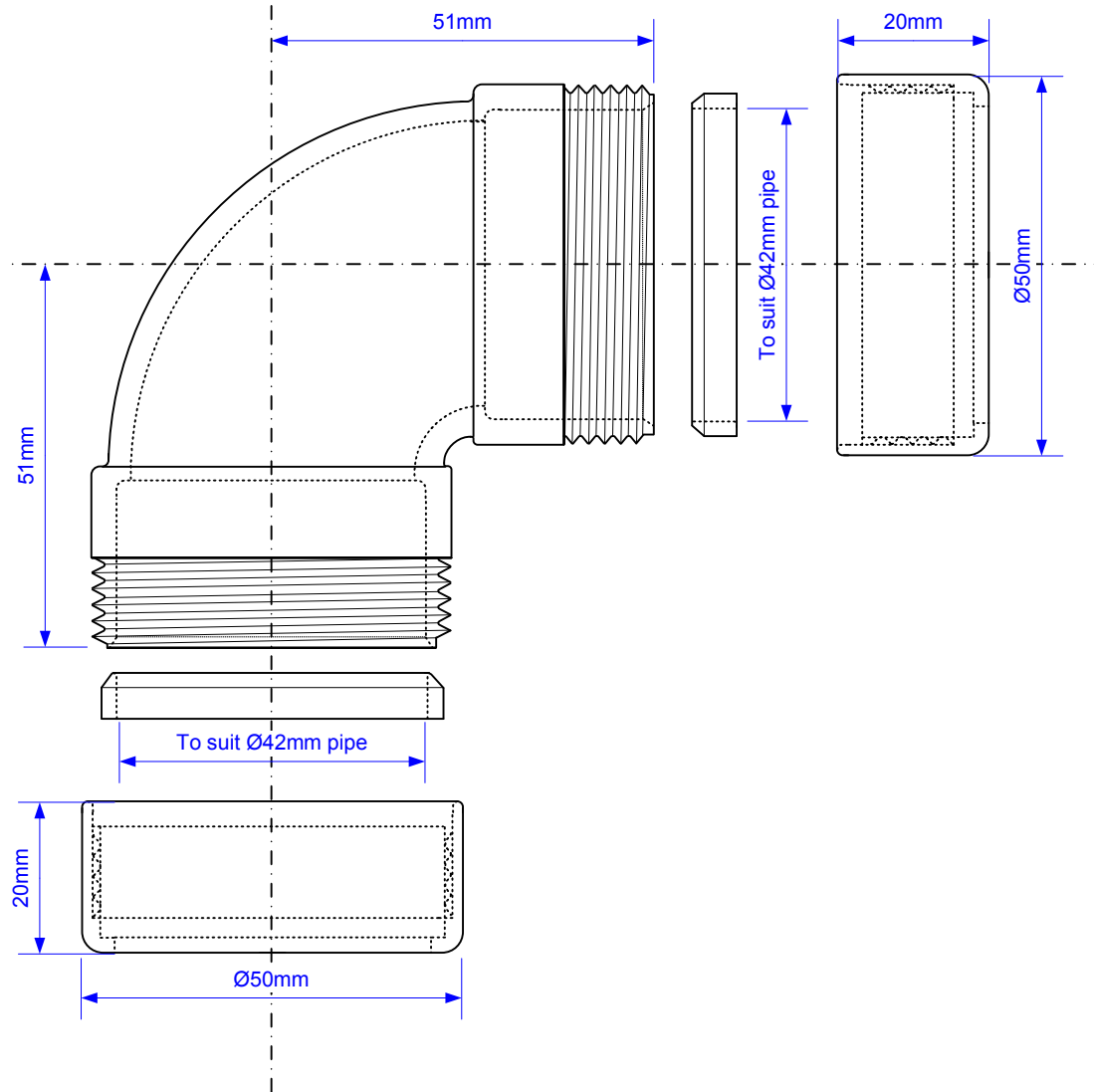


Code:

# 42A-CB



42mm BRASS  
CP90 BEND

©McALPINE  
10/01/2008

Drawing verified correct as of:

13/06/2014  
RM

DRAWN BY

RM

REVISED

13/06/2014

FILENAME

42A-CB.VSD

SCALE

1: 1

DATE

13/06/2014