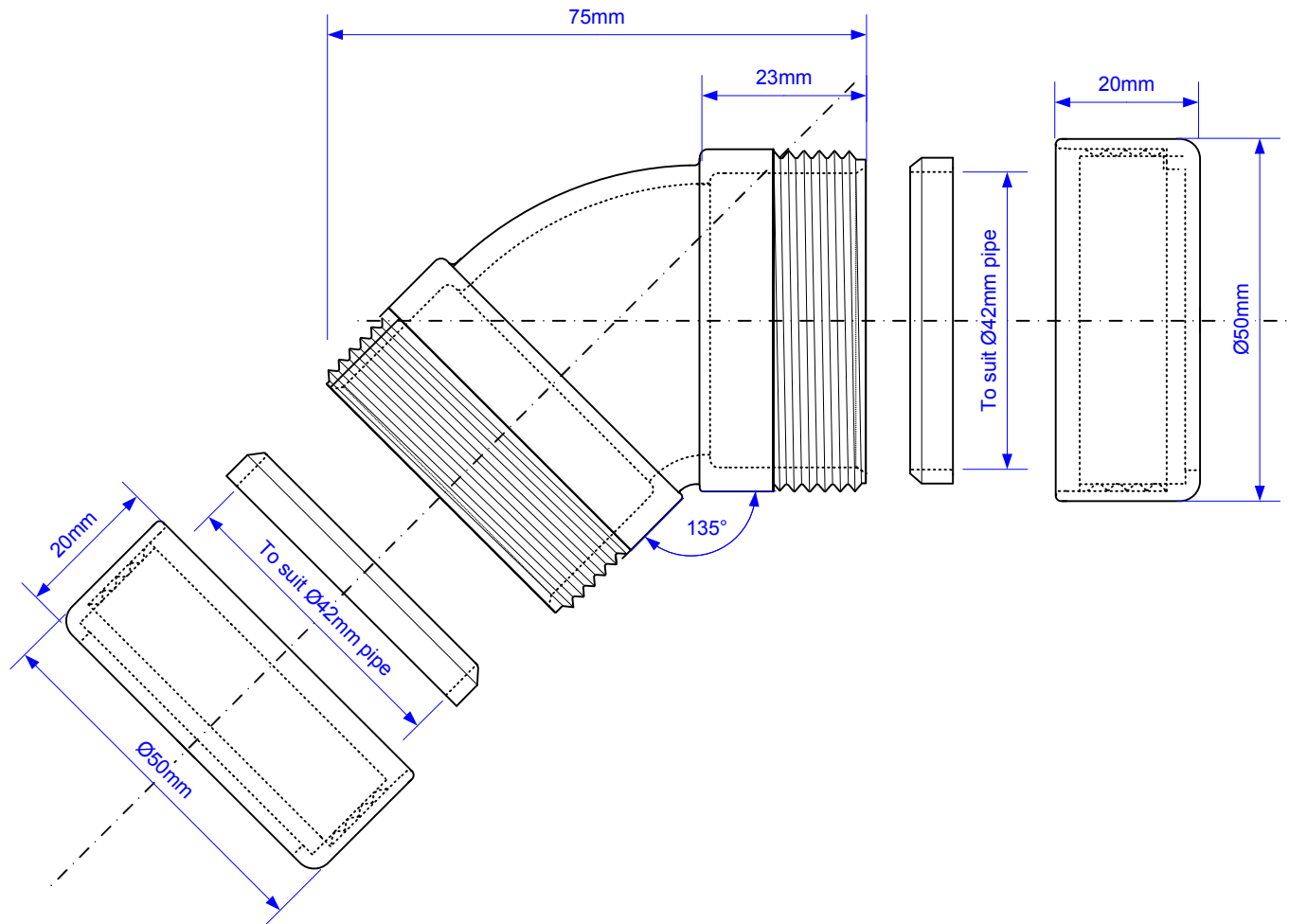


Code:

42B-CB



42mm BRASS CP
135 BEND

© McALPINE
10/01/2008

Drawing verified correct as of:

13/06/2014
RM

DRAWN BY

RM

REVISED

13/06/2014

FILENAME

42B-CB.VSD

SCALE

1:1

DATE

13/06/2014