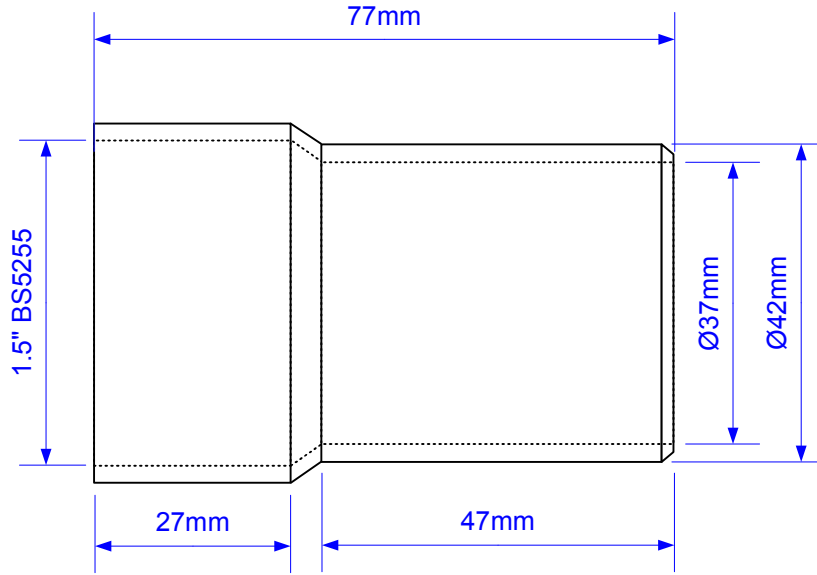


Code:

# ABSCON-42X1.5



Drawing verified 13/12/2010  
correct as of: RM

DRAWN BY  
RM

REVISED

SCALE  
1:1

FILENAME  
ABSCON-42X1.5.VSD

DATE  
13/12/2010